



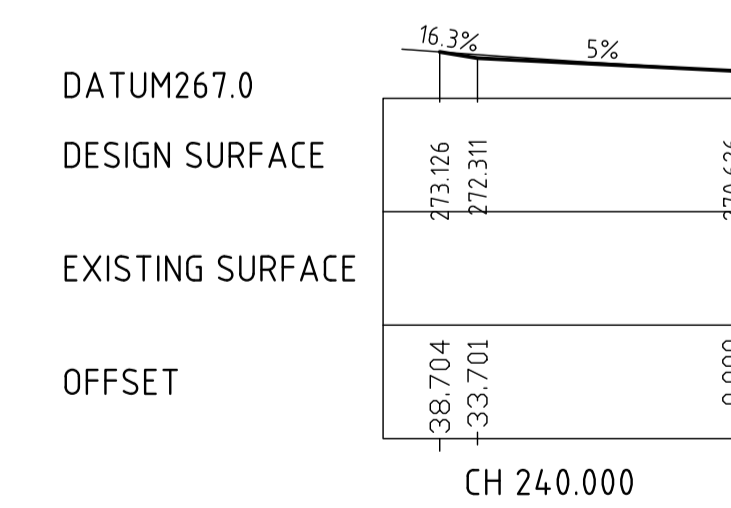
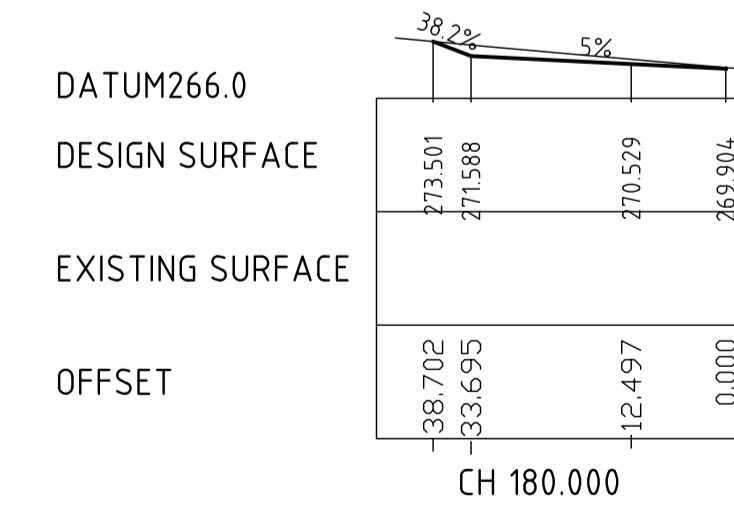
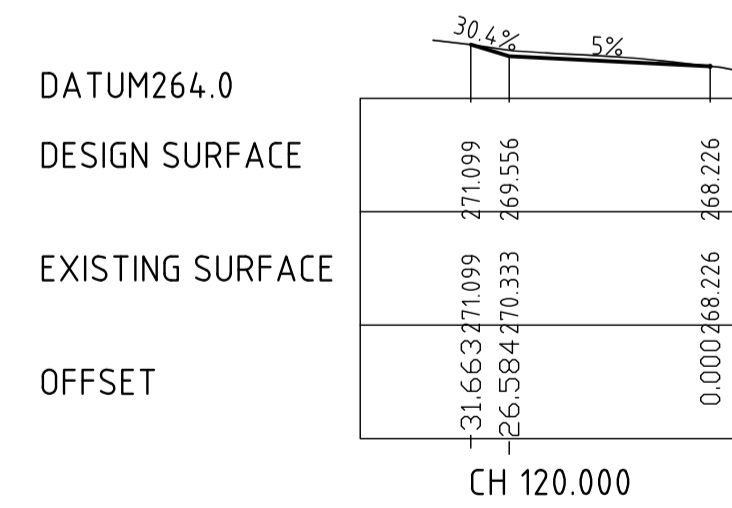
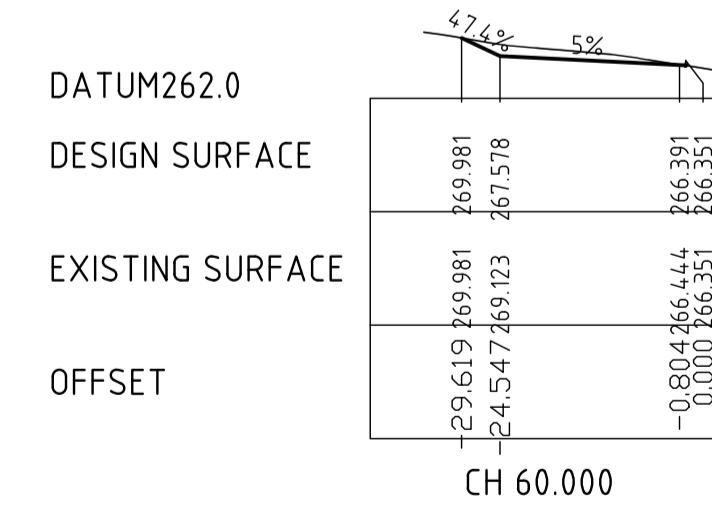
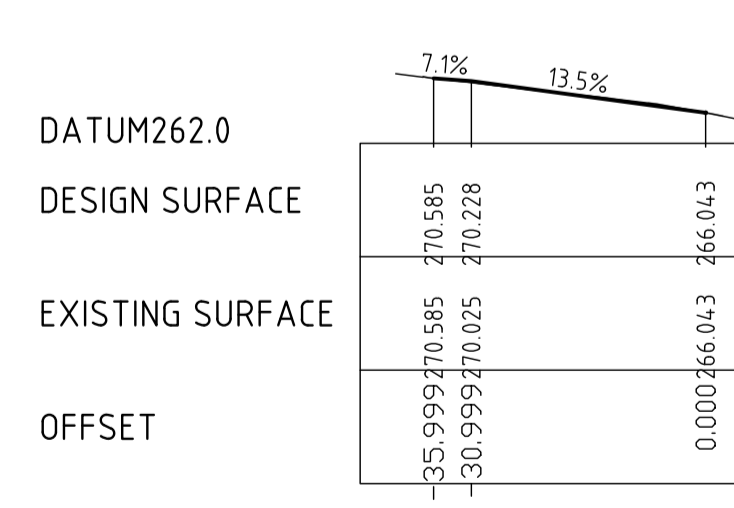
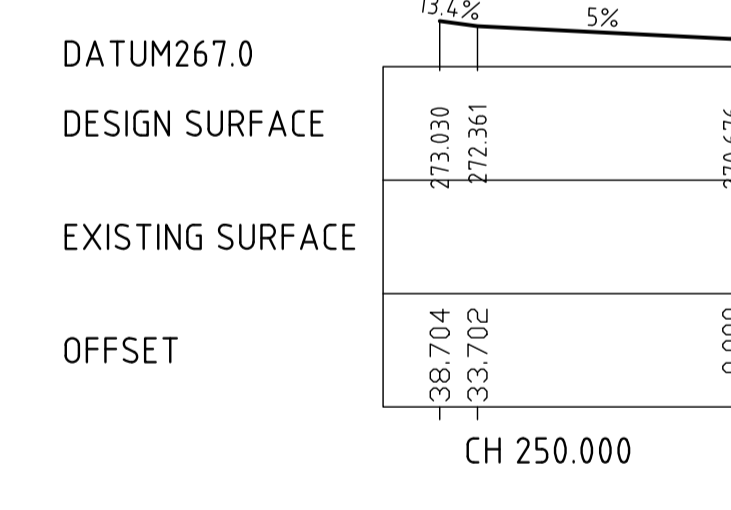
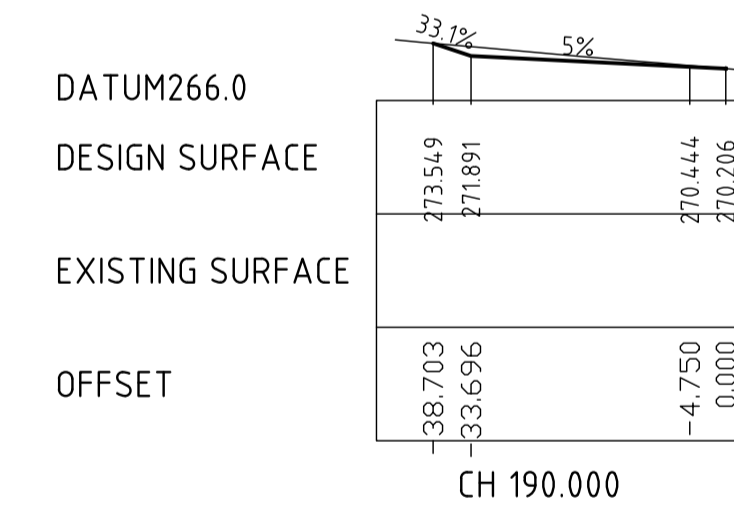
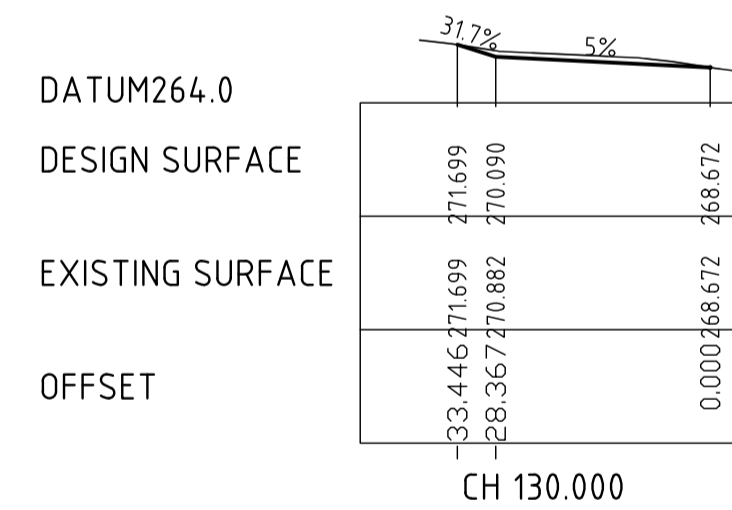
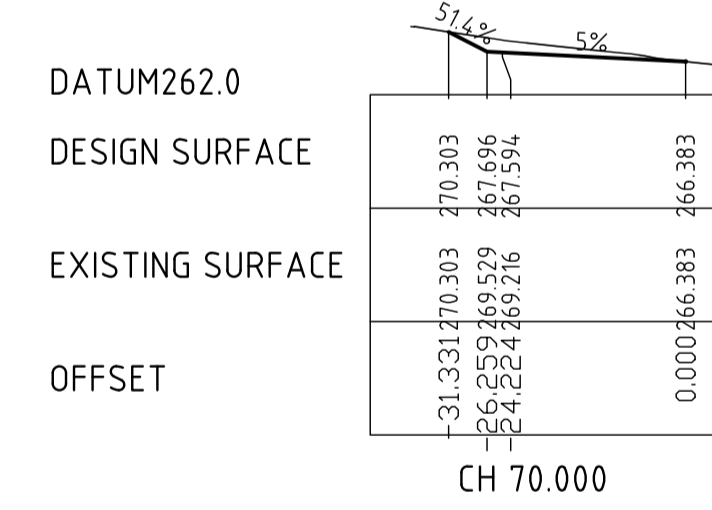
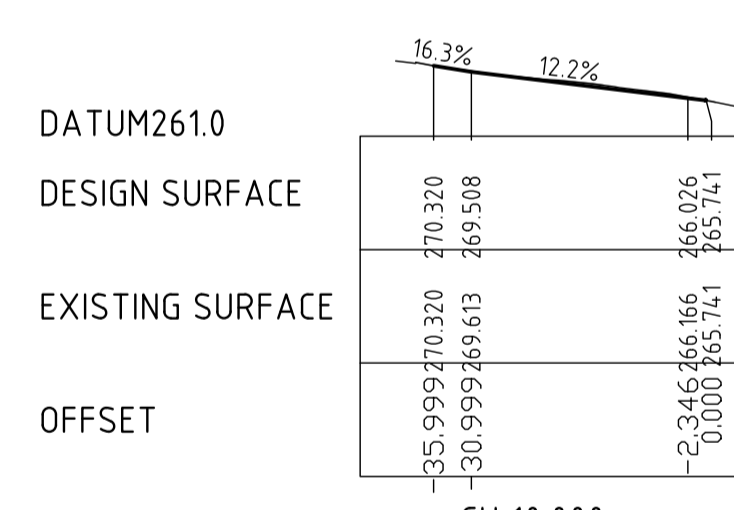
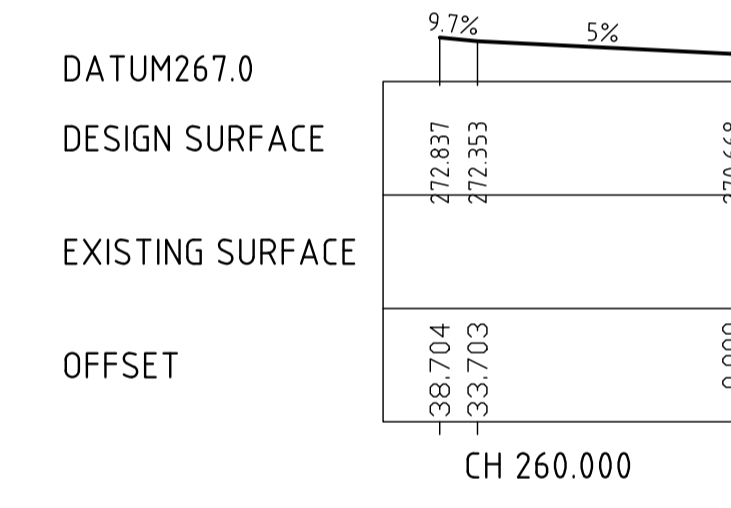
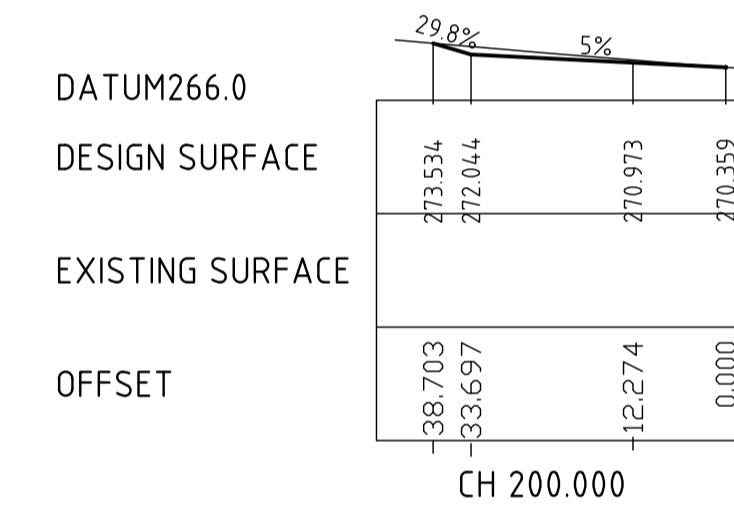
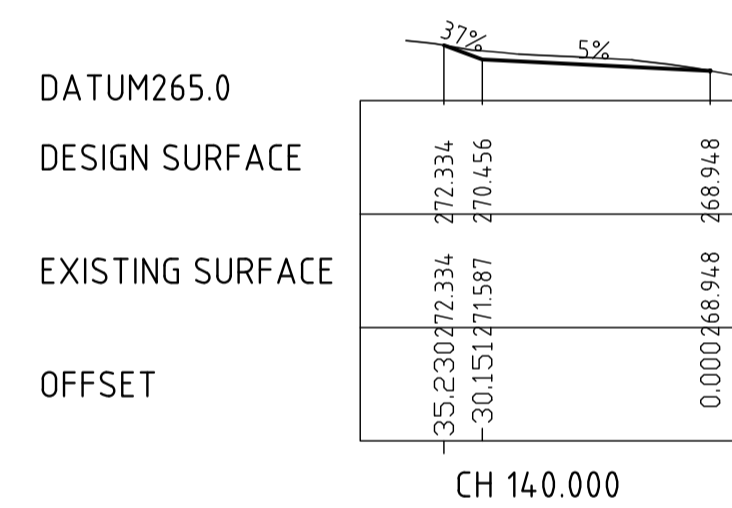
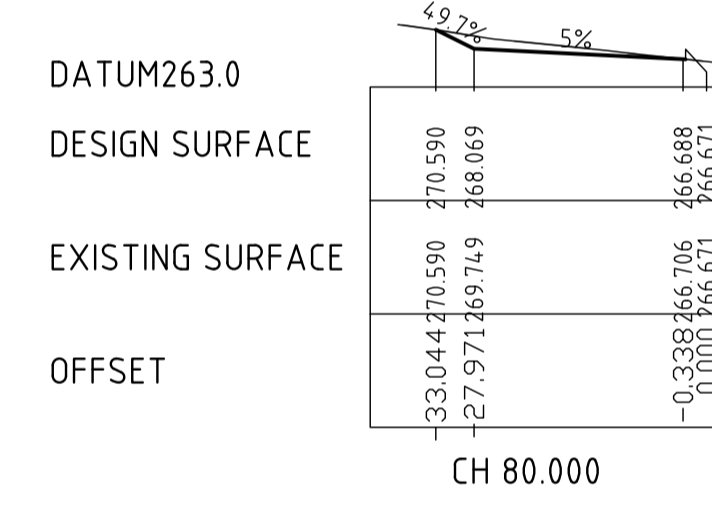
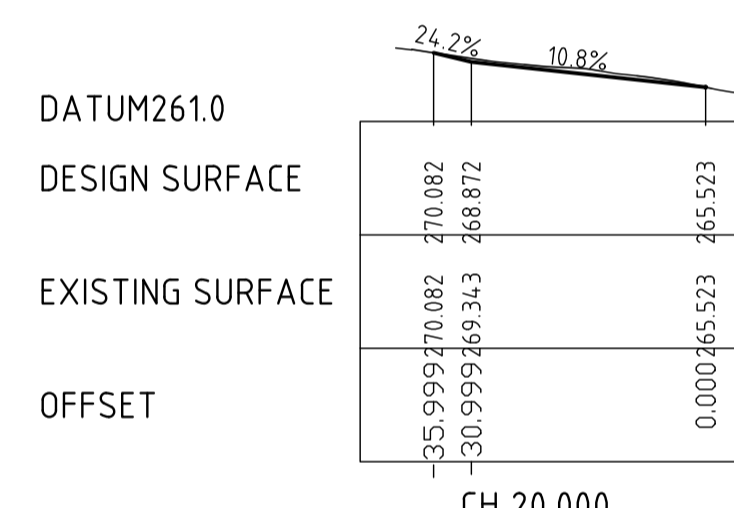
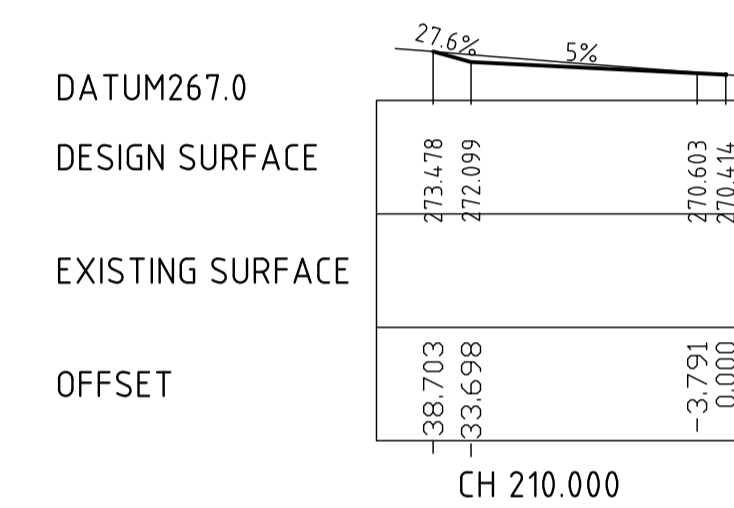
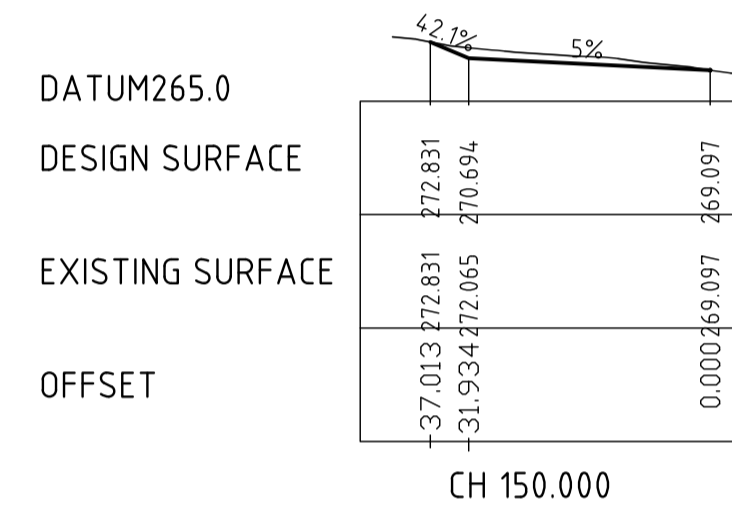
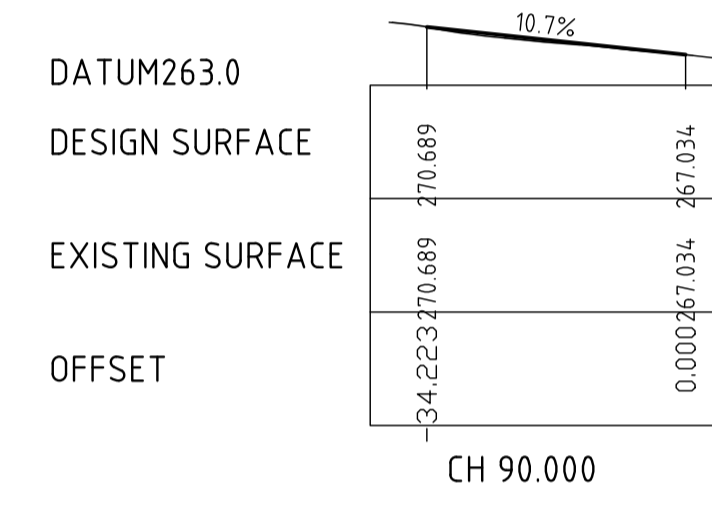
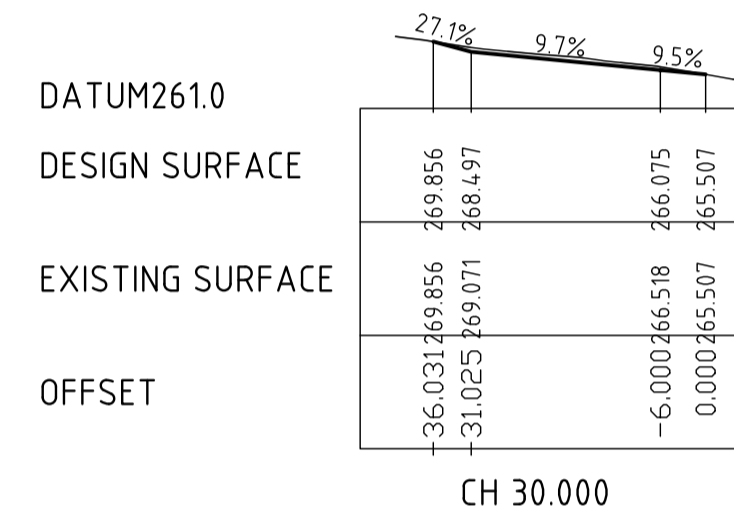
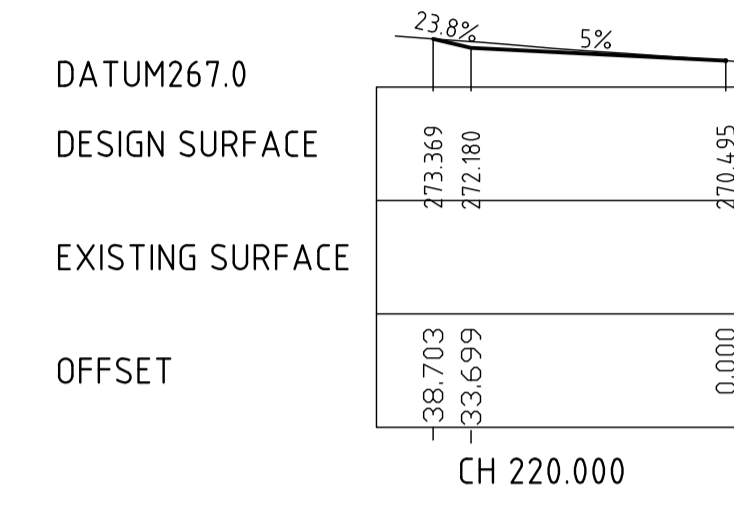
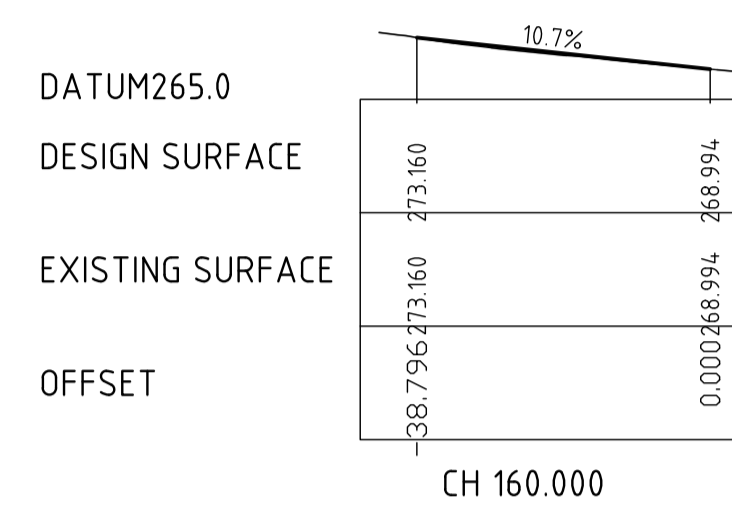
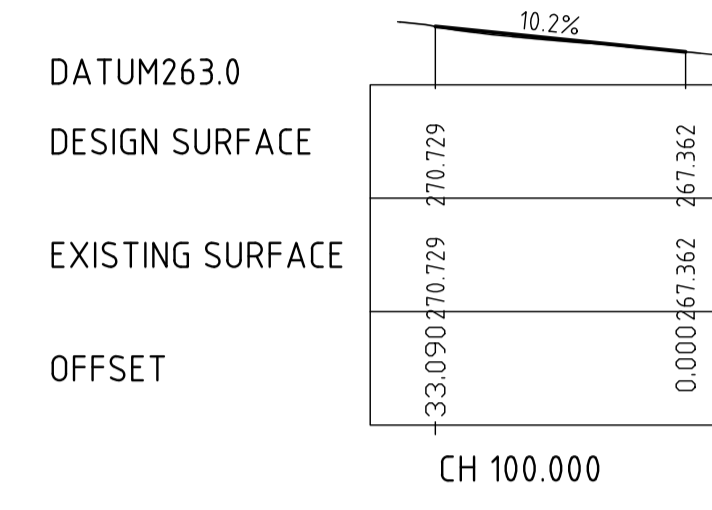
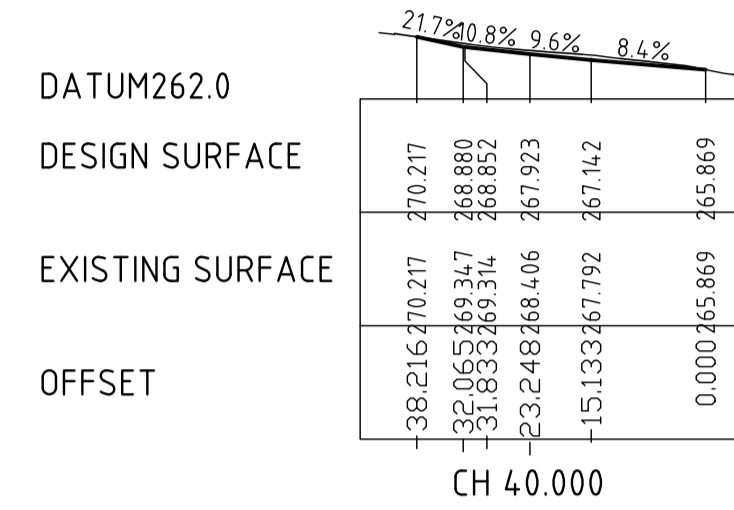
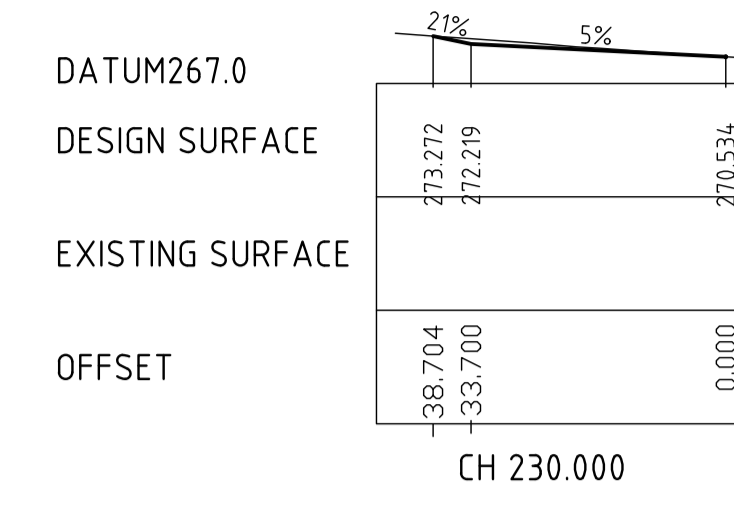
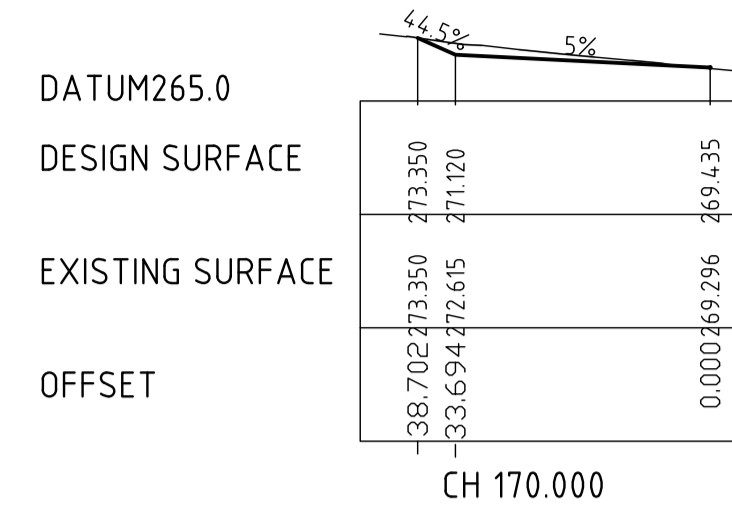
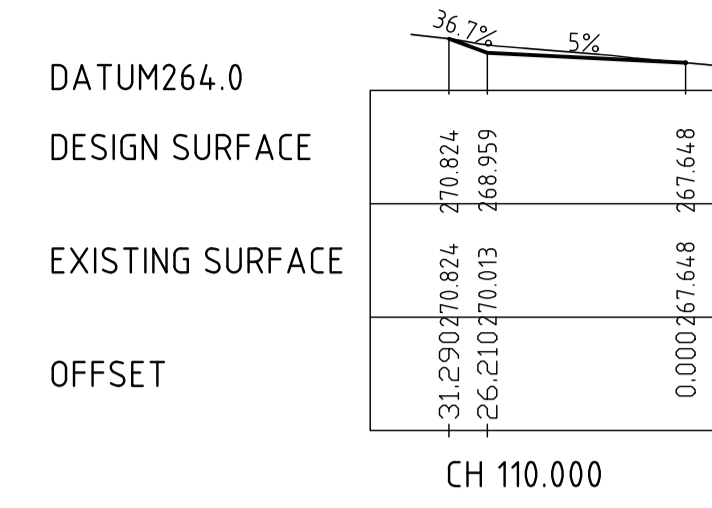
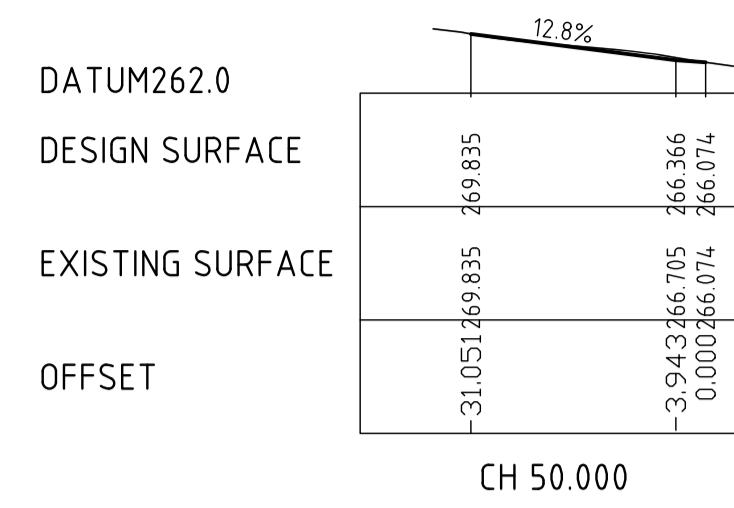
LAYOUT VIEW
SCALE 1:500

LEGEND

SYMBOL	DESCRIPTION
	CONTOUR MAJOR 1.0m INT
	CONTOUR MINOR 0.5m INT

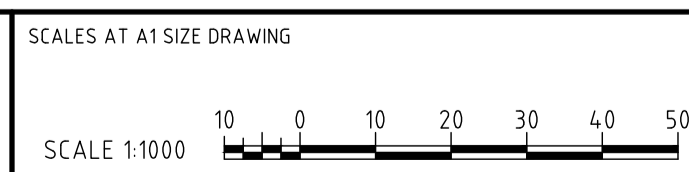
FOR CONSTRUCTION

REV	DATE	AMENDMENT / REVISION DESCRIPTION	DRAFTER	APPROVAL	SCALES AT A1 SIZE DRAWING		TITLE	NAME	DESIGNER	CLIENT	PROJECT TITLE	SCALE	PHASE	PROJECT / DRAWING No.	REVISION
-	-	-	-	-	SCALE 1:500		DRAFTER	BL	 Adelaide Civil Design ADELAIDE CIVIL DESIGN ABN 13 435 973 484 PO BOX 44 HENLEY BEACH S.A. 5022 www.adelaidecivildesign.com.au		KIDMAN RISE ESTATE SUBDIVISION CIVILWORKS KAPUNDA SITE GRADING LOTS 52-65 PLAN VIEW	1:500	FINAL DESIGN	ACD-14143-SK02	-
PLOT DATE		TIME	DRAWING FILE LOCATION			DESIGN CHECK	CS								
26 Mar 2024		09:17:18	Q:\ACD\Projects\ACD-14143 STATESURVEYS Kapunda Land Division\300 Design\Cad\Drawings_Info			DESIGNER	BL								
			Docs\ACD-14143-SK02_1-1.dwg			DESIGN CHECK	CS								
						PROJECT MANAGER	CS								
						PROJECT DIRECTOR	CS								



CROSS SECTIONS

SCALE 1:1000



FOR CONSTRUCTION

REV	DATE	AMENDMENT / REVISION DESCRIPTION	DRAFTER	APPROVAL
-	-	-	-	-

PLOT DATE	TIME	DRAWING FILE LOCATION
26 Mar 2024	09:17:22	D:\ACD\Projects\ACD-1413\STATESURVEYS\Kapunda Land Division\300 Design\Cad\Drawings\Info Docs\ACD-1413-SK03_1.dwg

TITLE	NAME
DRAFTER	BL
DRAFTING CHECK	CS
DESIGNER	BL
DESIGN CHECK	CS
PROJECT MANAGER	CS
PROJECT DIRECTOR	CS

DESIGNER

Adelaide Civil Design
ADELAIDE CIVIL DESIGN
ABN 13 435 973 484
PO BOX 44
HENLEY BEACH S.A. 5022
www.adelaidecivildesign.com.au

CLIENT

PROJECT TITLE			
KIDMAN RISE ESTATE SUBDIVISION CIVILWORKS KAPUNDA SITE GRADING LOTS 52-65 CROSS SECTIONS			
SCALE	PHASE	PROJECT / DRAWING No.	REVISION
1:500	FINAL DESIGN	ACD-1413-SK03	-